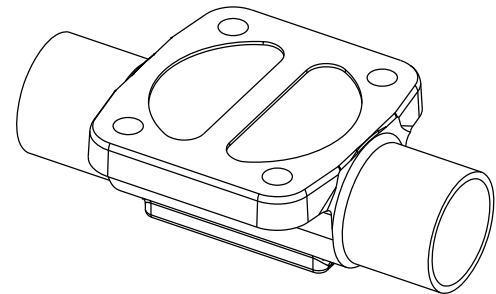
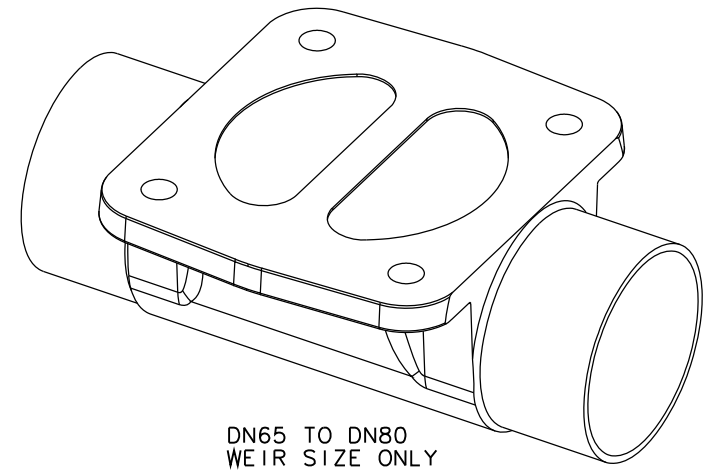


DN8 WEIR SIZE ONLY

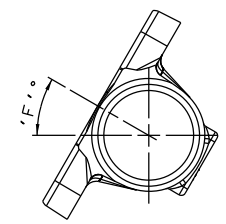


DN15 TO DN50 WEIR SIZE ONLY

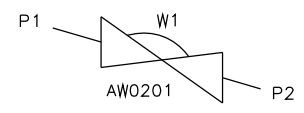


DN65 TO DN80 WEIR SIZE ONLY

VALVE SIZE	A	B	C	∅D	∅E	F	BODY WEIGHT
mm	mm	mm	mm	mm	mm	DEGREES	KGS
DN8	78.0	21.5	9.6	13.5	10.3	20	0.1
DN15 (DN10 ENDS)	108.0	30.5	13.0	17.2	14.0	25	0.3
DN15	108.0	30.5	13.0	21.3	18.1	19	0.3
DN20	117.0	28.5	16.0	26.9	23.7	21	0.4
DN25	127.0	28.5	19.5	33.7	29.7	12	0.6
DN40 (DN32 ENDS)	159.0	31.5	28.0	42.4	38.4	22	1.4
DN40	159.0	31.5	28.0	48.3	44.3	17	1.3
DN50	190.0	40.9	33.5	60.3	55.1	16	1.9
DN65	217.0	42.0	40.5	76.1	70.9	14	3.2
DN80	254.0	48.0	48.0	88.9	83.7	20	5.3

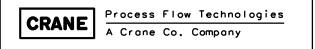


DRAIN ANGLE TOLERANCE = +/-2°



SELF DRAIN POSITION IN HORIZONTAL ORIENTATION

The information on this sheet is Private and Confidential and is the property of Crane Process Flow Technologies Limited and must not be published directly or indirectly in any manner whatsoever without the written permission of the Company and must not be used in any way detrimental to their interests.  
© Crane Process Flow Technologies



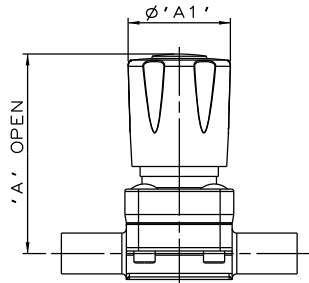
Title  
SCHEDULE OF LEADING DIMENSIONS FOR 2-WAY MKIV FORGED BODY WITH ISO 1127 S1 BUTT WELD ENDS.

Drawn R1 Date 08.11.11  
Checked RND Date 03.10.12

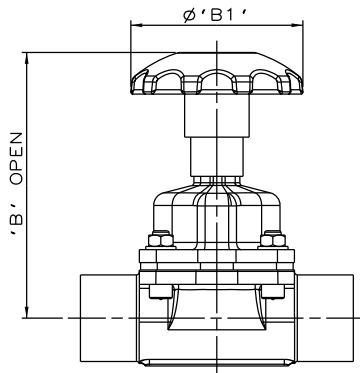
UNCONTROLLED IN HARD COPY FORMAT

First Angle Projection Method E

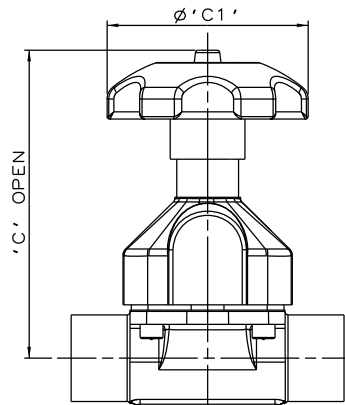
Drawing No. WEB-091 Issue. 2



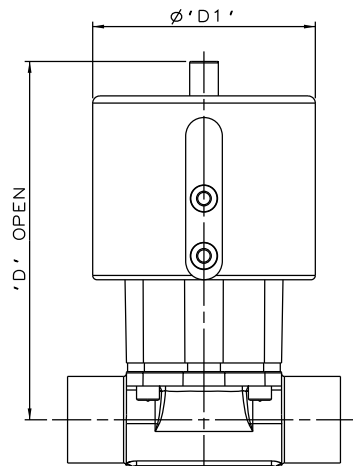
PURE PERFORMANCE BONNET ASSEMBLY



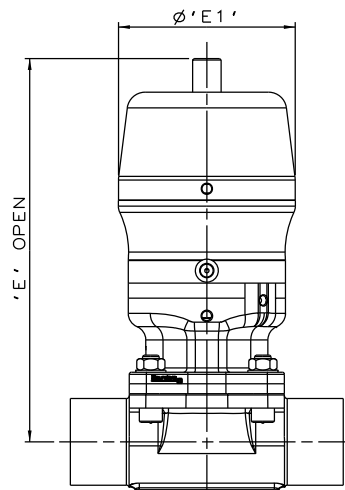
SS NON SEALED BONNET ASSEMBLY



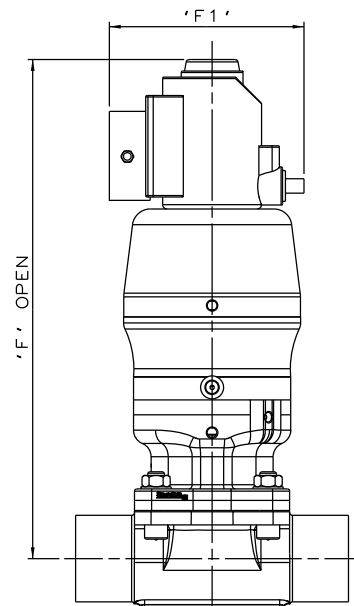
PES BONNET ASSEMBLY



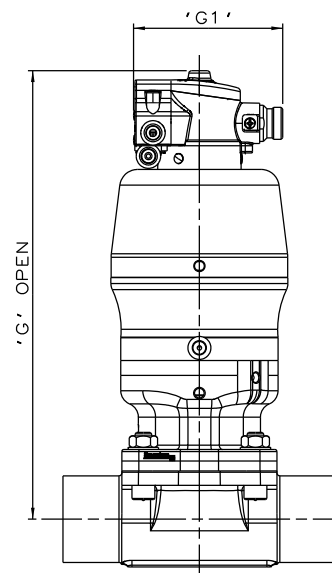
EC ACTUATOR (ALL MODES)



\*S360 ACTUATOR



\*S360 ACTUATOR WITH I-VUE SENSOR



\*S360 ACTUATOR WITH M-VUE SENSOR

The information on this sheet is Private and Confidential and is the property of Crane Process Flow Technologies Limited and must not be published directly or indirectly in any manner whatsoever without the written permission of the Company and must not be used in any way detrimental to their interests.  
 © Crane Process Flow Technologies

**CRANE** Process Flow Technologies  
 A Crane Co. Company

**Saunders**  
 The Science Inside

Title  
 SCHEDULE OF LEADING DIMENSIONS FOR 2-WAY MKIV FORGED BODY WITH ISO 1127 S1 ENDS. FITTED WITH TOPWORKS OPTIONS

Drawn R1 Date 20.12.16 UNCONTROLLED IN HARD COPY FORMAT  
 Checked RND Date 20.12.16

First Angle Projection Method E DO NOT SCALE Drawing No. WEB-091-ASSY Issue. 1

\* DIMENSIONS SHOW MAXIMUM ENVELOPE FOR ALL MODES

VALVE SIZE	A		A1		B		B1		C		C1		D		D1		E		E1		F		F1		G		G1		
mm	mm	inch	mm	inch	mm	inch	mm	inch	mm	inch	mm	inch	mm	inch	mm	inch	mm	inch	mm	inch	mm	inch	mm	inch	mm	inch	mm	inch	
DN8	0.25	66.0	2.60	34.0	1.34	N/A	N/A	N/A	N/A	N/A	N/A	N/A	N/A	88.6	3.49	58.0	2.28	89.6	3.53	55.0	2.18	188.6	7.43	136.0	5.35	154.6	6.09	103.8	4.09
DN15	0.50	N/A	N/A	N/A	N/A	88.0	3.46	62.0	2.44	111.0	4.37	62.0	2.44	115.0	4.53	70.0	2.75	139.0	5.47	67.5	2.66	235.0	9.25	136.0	5.35	199.3	7.85	103.8	4.09
DN20	0.75	N/A	N/A	N/A	N/A	91.0	3.58	62.0	2.44	117.0	4.61	62.0	2.44	160.0	6.30	103.0	4.05	167.0	6.57	98.0	3.87	263.0	10.35	136.0	5.35	228.0	8.98	103.8	4.09
DN25	1.00	N/A	N/A	N/A	N/A	113.5	4.47	80.0	3.15	147.5	5.81	80.0	3.15	167.5	6.59	103.0	4.05	175.5	6.91	98.0	3.87	272.5	10.73	136.0	5.35	236.5	9.31	103.8	4.09
DN40	1.50	N/A	N/A	N/A	N/A	164.0	6.46	120.0	4.72	205.0	8.07	140.0	5.51	231.0	9.09	155.0	6.10	230.0	9.06	123.0	4.84	317.0	12.48	136.0	5.35	281.0	11.06	103.8	4.09
DN50	2.00	N/A	N/A	N/A	N/A	185.5	7.30	120.0	4.72	214.5	8.44	140.0	5.51	249.5	9.82	155.0	6.10	272.5	10.73	150.0	5.92	356.5	14.04	136.0	5.35	320.5	12.62	103.8	4.09
DN65	2.50	N/A	N/A	N/A	N/A	233.5	9.19	170.0	6.69	226.5	8.92	140.0	5.51	N/A	N/A	N/A	N/A	334.5	13.17	186.0	7.32	414.5	16.32	136.0	5.35	N/A	N/A	N/A	N/A
DN80	3.00	N/A	N/A	N/A	N/A	259.0	10.20	230.0	9.06	299.0	11.77	250.0	9.84	N/A	N/A	N/A	N/A	407.0	16.02	236.0	9.29	480.0	18.90	136.0	5.35	N/A	N/A	N/A	N/A